

Masport[®]
HEATING



WOOD FIRES

FREESTANDING & IN-BUILT

www.masportheating.com.au



Welcome to Glen Dimplex Australia, the home of Masport Heating. With over 35 years of experience in home heating, Masport heating is a brand that reflects its values through its product.

Superior build quality, extensive research and development, rigorous quality control and a guarantee of workmanship are values that are synonymous with Masport Heating. Glen Dimplex is the largest manufacturer of wood fires in Australasia and incorporates a high level of equipment and facilities unrivaled by any other manufacturer in Australasia. As a result, our product range is extensive and offers great value for money.

We at Masport Heating have in-depth knowledge of solid fuel heating and continue to invest a great deal of time and money into innovative wood fire design and development. Our range of wood fires are a result of our intense research and over the years we have been at the forefront of the new generation of clean burning ultra efficient fires.



Buy a Masport fire

Masport Heating is committed to producing the best solid fuel burners in Australasia

Masport Heating is committed to producing the best wood fires in Australasia and our confidence is reflected in our 10 year fire box warranty on our entire wood fire range. Our dedicated staff have centuries of experience in the wood fire industry and are ready to assist you with your home heating needs.

Making a Masport wood fire is a team effort. We buy New Zealand made steel that is cut, crafted, welded and assembled by our team of over 70 Kiwis. This knowledge and expertise means that we can keep your home and your family warm this winter.

For more information, please view our latest range of products on offer in this catalogue or visit our website www.masportheating.com.au



Environmentally friendly wood fire

ABOUT WOOD FIRE

In days gone by, people relied on solid wood fuel to provide the basics of life - for cooking, heating and hot water. Yet it was dirty and inefficient. How things have changed!

The research and development team at Masport Heating have dedicated years to improving the efficiency and performance of our solid wood fires. Masport Heating strives to produce appliances which exceed environmental standards, offer a range of styles and operate with efficiency never before imagined.

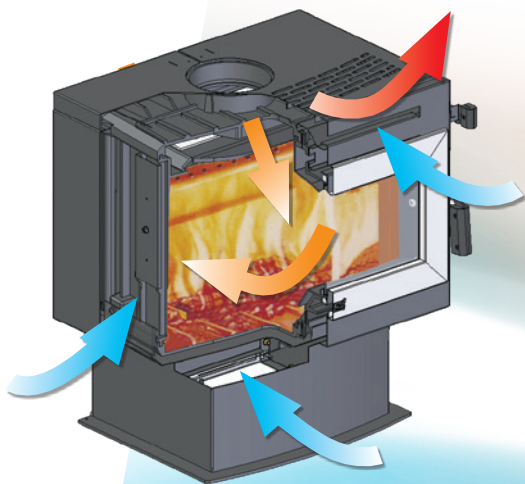
Today's appliances use less fuel, burn cleaner, are easier to clean, and can provide whole home heating even in the coldest winter without the fuss or mess.

Simply put, burning wood is a sound environmental choice because unlike other fuels, burning wood generates no more carbon dioxide than if it were left on the forest floor to rot. What's more, good forest management and regular replanting would ensure that our atmosphere is continually washed of carbon dioxide, while pruning and factory off cuts could provide an ample fuel supply for the entire country. With wood you know you are playing your part in protecting the planet.



Triple Air Combustion Technology

Masport fireboxes have been built with a Triple Air Combustion system designed to efficiently burn all the fuel put in the fire.



Primary air comes through slots with high/low control, gets preheated and drives primary combustion of fuel. It also creates an 'air wash' over the door glass, keeping it clean. Secondary air comes from either side of the firebox through the air-tube which creates turbulence and burns small, unburnt fuel particles at a very high temperature. Tertiary air comes from below the door or rear of the firebox to ensure complete combustion. This complete combustion gives better efficiency thus reducing running costs and keeping the environment clean.

Adena

The Adena breaks the mould of the traditional wood fire.

It's sleek, curved design complements a contemporary home while adding a sense of modernity to more traditional decors. The Adena will make a statement while keeping you warm this winter.

- ▶ Efficiently heats areas - up to 160m²
- ▶ Superior heat from a 6mm steel fire box
- ▶ Built-in easy clean Ash Pan
- ▶ Lined with ceramic fire bricks and a steel baffle for efficient burning
- ▶ Wood Stacker and Pedestal options available
- ▶ 10 Year Firebox warranty
- ▶ Made in New Zealand



Finish	Black VHT
Lab observed peak output	16.2 kW
Emissions	1.0 g/kg
Efficiency	60%
Dimensions w x d x h	481 x 536 x 1025 mm
Log size	290mm



 Radiant Fire

Finish	Black VHT
Stand	Pedestal
Estimate Peak Output	12 kW
Emissions	0.9 g/kg
Efficiency	66%
Dimensions w x d x h	493 x 510 x 640 mm
Log size	300mm

Rosewood

The Rosewood freestanding wood fire is made compact to heat and elevate small areas.

- ▶ Designed to heat small sized areas - up to 120m²
- ▶ 6mm radiant cooktop and 3mm steel firebox
- ▶ 10 Year Firebox warranty
- ▶ Made in New Zealand



 Radiant Fire

Redcliff

The Redcliff freestanding wood fire is made compact to heat and elevate small areas.

- ▶ Designed to heat small sized areas - up to 120m²
- ▶ 6mm radiant cooktop and 3mm steel firebox
- ▶ 10 Year Firebox warranty
- ▶ Made in New Zealand

Finish	Black VHT
Stand	Legs
Estimate Peak Output	12 kW
Emissions	0.9 g/kg
Efficiency	66%
Dimensions w x d x h	493 x 510 x 640 mm
Log size	300mm



Rubyvale

A compact fire for small spaces to balance between heat output, design and price.

- ▶ Efficiently heats areas - up to 160m²
- ▶ 6mm radiant cooktop and 6mm steel firebox for durability
- ▶ Intergrated ashpan
- ▶ 10 Year Firebox warranty
- ▶ Made in New Zealand



Radiant Fire

Finish	Black VHT
Stand	Pedestal
Estimate Peak Output	15 kW
Emissions	1.2 g/kg
Efficiency	64%
Dimensions w x d x h	623 x 522 x 690 mm
Log size	320mm

Rockwood

The Rockwood freestanding wood fire is a compact radiant fire which will keep small areas of your home cosy this winter.

- ▶ Efficiently heats areas - up to 160m²
- ▶ 6mm radiant cooktop and 6mm steel firebox for durability
- ▶ Lined with masonry fire bricks for efficient burning
- ▶ 10 Year Firebox warranty
- ▶ Made in New Zealand



Radiant Fire

Finish	Black VHT
Stand	Legs
Estimate Peak Output	15 kW
Emissions	1.2 g/kg
Efficiency	64%
Dimensions w x d x h	623 x 522 x 690mm
Log size	320mm

Romsey

A practical freestanding woodstacker with a compact radiant fire which will keep small areas of your home cosy this winter.

- ▶ Efficiently heats areas - up to 160m²
- ▶ Convenient wood storage solution
- ▶ 6mm radiant cooktop and 6mm steel firebox for durability
- ▶ 10 Year Firebox warranty
- ▶ Made in New Zealand



Radiant Fire

Finish	Black VHT
Stand	Woodstacker
Estimate Peak Output	15kW
Emissions	1.2 g/kg
Efficiency	64%
Dimensions w x d x h	623 x 522 x 744 mm
Log size	320mm

 Radiant Fire

Finish	Black VHT
Stand	Pedestal
Estimate Peak Output	19 kW
Emissions	1.3 g/kg
Efficiency	60%
Dimensions w x d x h	700 x 576 x 720 mm
Log size	400mm

Riverstone

Simply a great multi-purpose radiant fire built to produce substantial heat whilst being highly efficient.

- ▶ Efficiently heats areas - up to 190m²
- ▶ Superior heat from 6mm steel firebox and 8mm radiant cooktop
- ▶ Lined with masonry fire bricks and steel baffle for efficient wood burning
- ▶ Optional 2-speed fan for convection heating and faster warmth distribution
- ▶ Built-in easy clean Ash Pan
- ▶ 10 Year Firebox warranty
- ▶ Made in New Zealand



 Radiant Fire

Finish	Black VHT
Stand	Woodstacker
Estimate Peak Output	19 kW
Emissions	1.3 g/kg
Efficiency	60%
Dimensions w x d x h	700 x 576 x 804 mm
Log size	400mm

Ravenhall

A large multi-purpose radiant fire with a convenient wood storage solution.

- ▶ Efficiently heats areas - up to 190m²
- ▶ Superior heat from 6mm steel firebox and 8mm radiant cooktop
- ▶ Lined with masonry fire bricks and steel baffle for efficient wood burning
- ▶ Optional 2-speed fan for convection heating
- ▶ Handy storage space for wood
- ▶ Built-in ash drawer for easier cleaning and disposal
- ▶ 10 Year Firebox warranty
- ▶ Made in New Zealand



 Radiant Fire

Finish	Black VHT
Stand	Pedestal with ashpan
Estimate Peak Output	30 kW
Emissions	0.8 g/kg
Efficiency	64%
Dimensions w x d x h	790 x 715 x 799 mm
Log size	560mm

Redwood

Our most powerful fire ever. Supreme output and efficiency, for abundantly heating large homes and open plan spaces.

- ▶ Efficiently heats areas - up to 300m²
- ▶ Superior heat from a 6mm steel firebox and 8mm steel radiant cooktop
- ▶ Lined with masonry fire bricks and steel baffle for efficient wood burning
- ▶ Optional 2-speed fan for convection heating and faster warmth distribution
- ▶ Built-in easy clean Ash Pan
- ▶ 10 Year Firebox warranty
- ▶ Made in New Zealand



Clunes

The Clunes freestanding wood fire has a beautiful modern glass door with a better viewing area

- ▶ Designed to heat medium sized areas - up to 190m²
- ▶ 6mm durable steel firebox
- ▶ Modern glass door
- ▶ Fan fitted convection heating
- ▶ 10 Year Firebox warranty
- ▶ Made in New Zealand



 Convection Fire

Finish	Black VHT
Stand	Pedestal
Estimate Peak Output	14.3 kW
Emissions	1.4 g/kg
Efficiency	71%
Dimensions w x d x h	652 x 524 x 800 mm
Log size	400mm

Curlewis

Clean and efficient heat using convection technology.

- ▶ Designed to heat large sized areas - up to 230m²
- ▶ 6mm durable steel firebox
- ▶ Wide door glass gives an unparalleled view of the fire
- ▶ 2 speed Fan
- ▶ 10 Year Firebox warranty
- ▶ Made in New Zealand



 Convection Fire

Finish	Black VHT
Stand	Pedestal
Estimate Peak Output	23 kW
Emissions	1.3 g/kg
Efficiency	63%
Dimensions w x d x h	640 x 595 x 754 mm
Log size	400mm

Creswick

The Creswick freestanding wood fire has a beautiful modern glass door with a better viewing area.

- ▶ Designed to heat large sized areas - up to 250m²
- ▶ 6mm durable steel firebox
- ▶ Modern glass door
- ▶ Fan fitted for convection heating
- ▶ 10 Year Firebox warranty
- ▶ Made in New Zealand



 Convection Fire

Finish	Black VHT
Stand	Pedestal
Estimate Peak Output	25kW
Emissions	0.7 g/kg
Efficiency	63%
Dimensions w x d x h	810 x 610 x 865 mm
Log size	560mm



MASPORT WOOD FIRES

Westcott 1000

A compact cast-iron wood radiant fire which will heat small areas. Top and rear flue options make for versatile installation.

- ▶ Designed to heat a small area - up to 50m²
- ▶ Cast-iron construction
- ▶ Cooktop, grate and ashpan
- ▶ Air wash system to maintain clear door glass
- ▶ 10 Year Firebox warranty
- ▶ Designed in New Zealand



 Radiant Fire

Finish	Black
Firebox	Cast Iron
Estimate Peak Output	8.0 kW
Emissions	1.1 g/kg
Efficiency	68%
Dimensions w x d x h	416 x 336 x 540 mm
Log size	250mm

Westcott 2000

The solid construction of the Westcott 2000 will keep small to medium areas of your home cosy this winter,

- ▶ Designed to heat small to medium sized areas - up to 80m²
- ▶ Cast-iron construction
- ▶ Cooktop, grate and ashpan
- ▶ Air wash system to maintain clear door glass
- ▶ 10 Year Firebox warranty
- ▶ Designed in New Zealand



 Radiant Fire

Finish	Black
Firebox	Cast Iron
Estimate Peak Output	10kW
Emissions	1.3 g/kg
Efficiency	67%
Dimensions w x d x h	544x 309 x 554 mm
Log size	380mm

Westcott 3000

With dual side opening doors and brushed steel handles, the Westcott 3000 radiant wood fire will make a statement in any room.

- ▶ Designed to heat small to medium sized areas - up to 150m²
- ▶ Cast-iron construction
- ▶ Cooktop, grate and ashpan
- ▶ Air wash system to maintain clear door glass
- ▶ 10 Year Firebox warranty
- ▶ Designed in New Zealand



 Radiant Fire

Finish	Black
Firebox	Cast Iron
Estimate Peak Output	12kW
Emissions	1.5 g/kg
Efficiency	65%
Dimensions w x d x h	652 x 356 x 640mm
Log size	500mm

 Radiant Fire

Finish	Black
Firebox	Cast iron
Estimate Peak Output	10 kW
Emissions	1.3 g/kg
Efficiency	67%
Dimensions w x d x h	380 x 460 x 650 mm
Log size	250mm

Klondike

The classic, North American styling of the Klondike makes it an attractive eye catcher; giving a cosy glow to any room.

- ▶ Designed to heat medium to large sized areas - up to 100m²
- ▶ Radiant circulation
- ▶ Efficient cooktop for cooking or boiling water
- ▶ Finished in rugged black cast iron
- ▶ Ashpan for convenient cleaning
- ▶ 10 Year Firebox warranty
- ▶ Designed in New Zealand



 Radiant Fire

Pittsburgh MK II

Enjoy the traditional feel that comes with the Pittsburgh potbelly stove. The second make of this wood heater model is perfect to add an elegant feel to any medium or large sized areas in your home, while offering less emissions than before.

- ▶ Designed to heat medium to large sized areas - up to 150m²
- ▶ Radiant circulation
- ▶ Efficient cooktop for cooking or boiling water
- ▶ Finished in rugged black cast iron
- ▶ Ashpan for convenient cleaning
- ▶ 10 Year Firebox warranty
- ▶ Designed in New Zealand

Finish	Black
Firebox	Cast iron
Estimate Peak Output	15 kW
Emissions	1.5 g/kg
Efficiency	68%
Dimensions w x d x h	510 x 580 x 850 mm
Log size	300mm



Inverell

Big, bold and striking, the Inverell steel inbuilt wood fire adds great visual impact and plenty of heat for large, spacious areas.

- ▶ Designed to heat large sized areas - up to 250m²
- ▶ 6mm durable steel firebox
- ▶ Central Heating Appliance
- ▶ Zero Clearance as a standard
- ▶ For built-in cavity application only
- ▶ Flexible Ducting x 2 - The ducting is to be vented in the same room or an adjacent room
- ▶ 10 Year Firebox warranty
- ▶ Made in New Zealand

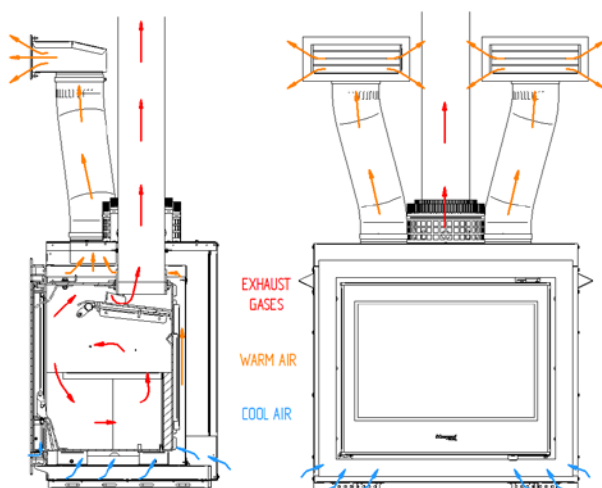
Convection Fire

Finish	Black VHT
Estimate Peak Output	25 kW
Emissions	1.5 g/kg
Efficiency	65%
Dimensions w x d x h	652 x 356 x 640mm
Log size	560mm



Working principle of Inverell

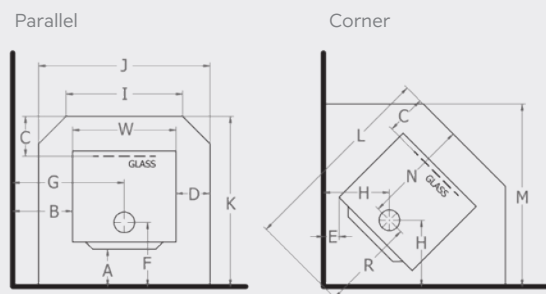
The Inverell wood burner has been designed for installation in a built-in cavity. Combustion chamber, zero clearance box and its modern flush fascia are preassembled in our factory for ease of installation. The built-in cavity and flue system requires fresh air which enters via cutouts at the bottom and sides of the ZC box. After entering the zero clearance box, a portion of this fresh air is channelled for combustion of the wood fuel and raises the main firebox temperature which is made of thick steel. The remaining part of the air circulates around this superhot firebox, absorbs heat energy from its outer surfaces and becomes hot to a significant level. This hot air rises and exits the zero clearance box through two circular ports located on top of the outer skin. These ports connect to warm air outlet vents using semi-rigid aluminium ducts and the hot air finally exits back into the living room through the outlet vents installed on the built-in cavity. Along with this convection hot air, the Inverell burner also radiates a lot of heat energy through a large glass window on its main fuel loading door. This combination of radiant and convection heat makes the Inverell wood burner an efficient appliance to heat not only the living room but the adjacent rooms as well.



Clearance Specifications

Steel Freestanding

Minimum distance to heat sensitive materials (mm) when a flue deflector is fitted, and floor protector sizes as per standard AS/NZS 2918:2018.



Model	Flue Shield	A	B	C	D	E	F	G	H	I	J	K	L	M	N	R	W
Adena/ Adena WS	FUF	120	400	300	117	180	298	641	400	415	715	957	1224	1013	659	565	482
Adena/ Adena WS	AGA	233	650	300	117	350	411	891	579	415	715	1070	1478	1191	659	819	482
Rosewood	FUF	100	450	300	116	250	290	697	551	500	725	888	1377	1124	598	779	493
Rosewood	AGA	125	425	300	116	225	315	672	526	500	725	913	1342	1099	598	744	493
Rosewood	FDR	125	375	300	116	200	315	622	501	425	725	913	1307	1074	598	709	493
Redcliff	FUF	100	450	300	116	250	290	697	551	500	725	888	1377	1124	598	779	493
Redcliff	AGA	125	425	300	116	225	315	672	526	500	725	913	1342	1099	598	744	493
Redcliff	FDR	125	375	300	116	200	315	622	501	425	725	913	1307	1074	598	709	493
Rubyvale	FDR	125	300	300	100	100	315	612	446	522	822	908	1224	1050	593	631	623
Rubyvale	AGA	150	350	300	100	100	340	662	446	522	822	933	1224	1050	593	631	623
Rockwood	FDR	125	300	300	100	100	315	612	446	522	822	908	1224	1050	593	631	623
Rockwood	AGA	150	350	300	100	100	340	662	446	522	822	933	1224	1050	593	631	623
Romsey	FDR	125	300	300	100	100	315	612	446	522	822	908	1224	1050	593	631	623
Romsey	AGA	150	350	300	100	100	340	662	446	522	822	933	1224	1050	593	631	623
Ravenhall	FUF	188	280	300	100	150	384	630	506	600	900	1028	1360	1174	644	716	700
Ravenhall	AGA	125	395	300	100	155	321	745	511	600	900	965	1367	1179	644	723	700
Riverstone	FUF	188	280	300	100	150	384	630	506	600	900	1028	1360	1174	644	716	700
Riverstone	AGA	125	395	300	100	155	321	745	511	600	900	965	1367	1179	644	723	700
Redwood	FUF	213	500	300	87	240	413	895	630	664	964	1158	1611	1374	720	861	790
Redwood	AGA	280	500	300	87	240	480	895	630	664	964	1225	1611	1370	745	861	790
Clunes	FUF	150	300	300	130	250	329	626	552	612	912	974	1425	1224	645	780	652
Clunes	AGA	200	300	300	130	150	379	626	452	612	912	1024	1284	1124	645	639	652
Curlewis	FUF	100	425	400	130	125	234	745	446	600	900	1102	1499	1272	868	631	640
Curlewis	FDR	100	400	400	130	125	234	720	446	600	900	1102	1499	1272	868	631	640
Curlewis	AGA	100	400	400	130	125	234	720	446	600	900	1102	1499	1272	868	631	640
Creswick	FUF	125	450	600	83	225	311	855	586	675	975	1335	1853	-	1024	829	810
Creswick	FDR*	225	625	600	83	225	411	1030	586	675	975	1435	1853	-	1024	829	810
Creswick	FDR	450	625	600	82.5	225	636	1030	586	675	975	1660	1853	-	1024	829	810
Creswick	AGA*	150	550	600	82.5	225	336	955	586	675	975	1360	1853	-	1024	829	810
Creswick	AGA	375	550	600	82.5	225	561	955	586	675	975	1585	1853	-	1024	829	810

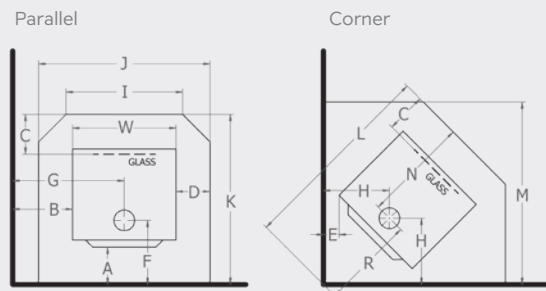
Notes

- ▶ *The reduced rear clearance for the Creswick requires a 1500mm tall flue shield to be installed
- ▶ It is important to note that this dimension page is a guide only. Please refer to the installation manual supplied with the fire for accurate manufacturer recommendations. All details are available on www.masportheating.com.au
- ▶ Clearances are for fire hazard only. For durability of finishes or surfaces you should contact the relevant manufacturer for their specification. Glen Dimplex Australia Pty Ltd accepts no responsibility for the deterioration of surfaces or finishes.
- ▶ For full warranty details refer to your owner's manual. All heaters must be installed and serviced by an authorised installer. Due to ongoing enhancements, specifications may change without notice. Some pictures and settings are for illustration purpose only. Contact your dealer for fires available in your area.

Clearance Specifications

Cast Iron Freestanding

Minimum distance to heat sensitive materials (mm) when a flue deflector is fitted, and floor protector sizes as per standard AS/NZS 2918:2018.



Model	Flue Shield	A	B	C	D	E	F	G	H	I	J	K	L	M	N	R	W
⊕ Westcott 1000*	FDR	300	750	450	138	400	410	935	623	385	685	1065	1536	1222	655	881	416
⊕ Westcott 2000*	FDR	300	600	500	100	400	420	870	676	440	740	1090	1626	1305	670	956	544
⊕ Westcott 3000	FUF	350	450	300	143	200	458	770	503	625	925	988	1241	1098	530	711	652
⊕ Westcott 3000	AGA	275	425	300	143	220	383	745	523	625	925	913	1270	1119	530	740	652
⊕ Klondike	-	-	900	-	-	900	860	-	-	-	1220	1220	-	-	-	-	380
⊕ Pittsburgh MK II	-	-	900	-	-	900	910	-	-	-	1220	1220	-	-	-	-	510

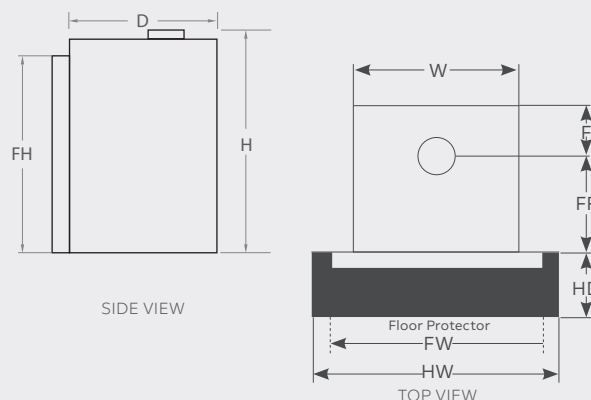
*Must be fitted with optional rear shield for above rear wall clearances

Steel Inbuilt

Minimum distance to heat sensitive materials (mm) and floor protector sizes as per standard AS/NZS 2918:2018.

Note: Insulated floor protectors.

For detailed design and specifications of insulated floor protector requirements for below models, please refer to installation manual.



Model	Type	D	H	W	F	FH	FW	FF	HW	HD
⊕ Inverell	Inbuilt	600	794	860	248	692	814	352	1000	300

Type of Fires

- ⊕ Radiant
- ⊖ Convection

Type of Flue Shields

- FUF Flomet Universal Flue system with full length decorative heat shield. Some models require an additional internal or external heat shield.
- FDR Flomet Dropbox with Single Skin Reflective Shield.
- AGA Acorn/ Air Group Special Insulated Flue System with either single flue shield or Masport double flue shield depending on model.

Wood is Good


Why buy a wood fire?


- ▶ **Wood is a carbon neutral product** and unlike other fuels, burning wood generates no more carbon dioxide (CO₂) than if it was left to decompose naturally.
- ▶ **A Masport wood fire is energy efficient** and designed to heat your entire house.
- ▶ **A wood fire has a multi purpose function** which apart from being your primary heat source, can be used with a heat transfer/ventilation system or for water heating and cooking.
- ▶ **A wood fire is a smart and cost effective method of heating** being one of the cheapest forms of heating.
- ▶ **Wood is a renewable energy source** making it a sound environmental choice.
- ▶ **Masport holds operational spares parts** for up to 15 years from the last date of manufacture. This gives you peace of mind and knowledge that you can service your wood fire over its lifetime. This is the advantage of buying New Zealand made.
- ▶ **Masport offers an extensive range** with many models and options to choose from.



Clean Air Fires

There are two main categories of clean air fires.

 **Radiant Fires** heat quickly and if you sit close to them you can get warm even if the whole room has not had time to warm up. A radiant fire transfers about two thirds of its heat by radiating out and one third by convection. A radiant fire is more suitable for rooms with high ceilings.

 **Convection Fires** provide a more even heat by distributing warm air around the room, because hot air rises, the air in the room is warmed from the ceiling downwards. A convection fire is more suitable for a room or house with a standard ceiling height and where more even heat distribution is desired.





As a sign of our commitment to quality, all new Masport fire boxes are guaranteed for 10 years.

We warranty our fire boxes to be free from defects in material or workmanship under normal use and service. The Warranty (on the firebox excluding attachments) is for 10 years from the date of purchase. Please be aware Masport Woodfires are intended for internal use only, unless otherwise specified.*

* 1 year warranty on all internal fire parts

Installation

When installed in the correct manner as shown, your Masport Fire will provide a cleaner, more energy efficient warmth. Masport Heating recommends that all installation work be carried out by an authorised installer.



Glen Dimplex Australia Pty Ltd
1340 Ferntree Gully Road, Scoresby, VIC 3179, Australia
Ph: 1300 554 155
masportheating.com.au

Proudly distributed in Western Australia by:
AirGroup Australia
28 Division Street, Welshpool WA 6106, Australia
Ph: (08) 9350 2200 Fax: (08) 9353 4225
airgroup.com.au

Glen Dimplex Australia Pty Ltd's policy is one of continuous development. We reserve the right to change size and specifications without notice. Images shown are for communication purposes only. For confirmation of Masport Heating product details please refer to www.masportheating.com.au. Please refer to the installation and operation instructions before having your Masport Wood Fire installed. A full set of these instructions is supplied with each fire.

Your nearest dealer:

